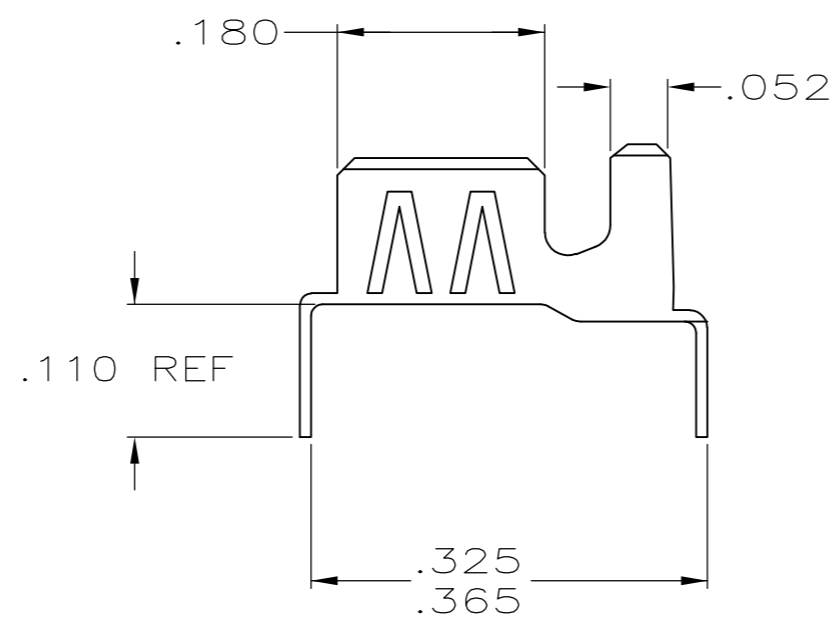
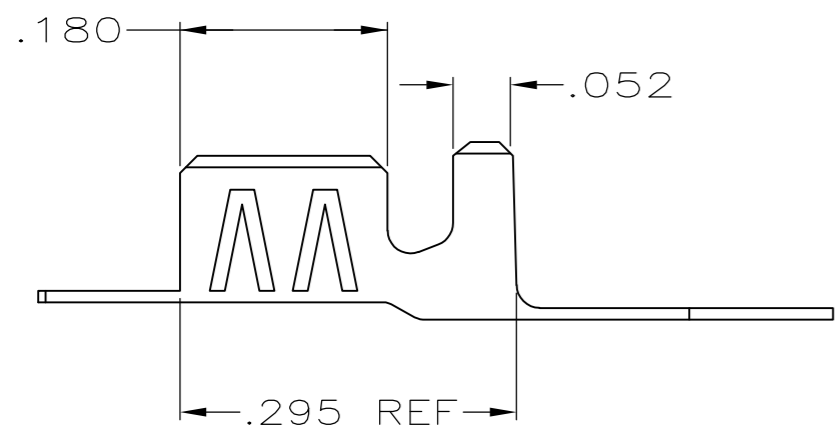
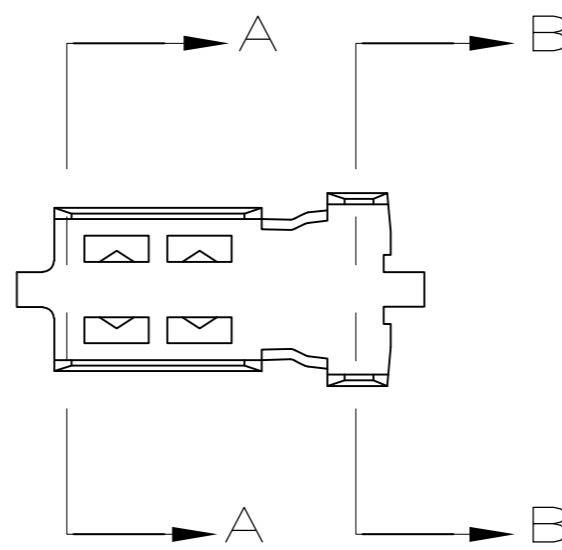
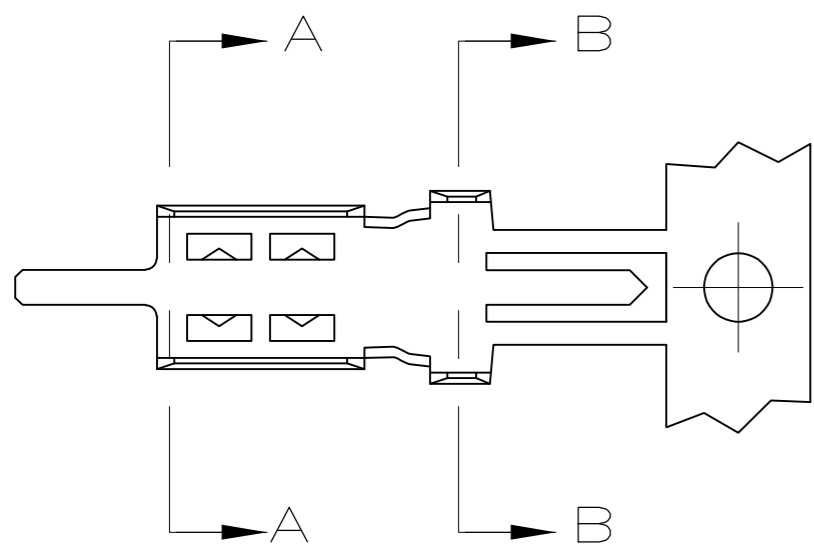


THIS DRAWING IS UNPUBLISHED. RELEASED FOR PUBLICATION
 © COPYRIGHT - By - ALL RIGHTS RESERVED.

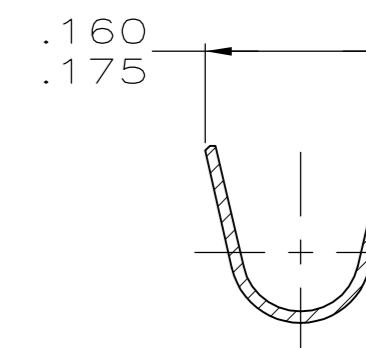
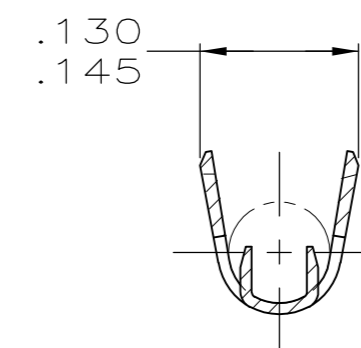
| LOC | | DIST | | REVISIONS | | | |
|-----|-----|-------------|---------------------------|-----------|---------|------|-----|
| P | LTR | DESCRIPTION | | DATE | DWN | APVD | |
| AJ | 16 | N1 | REVISED PER ECO-11-005030 | | 11MAR11 | RK | HMR |



VIEW C

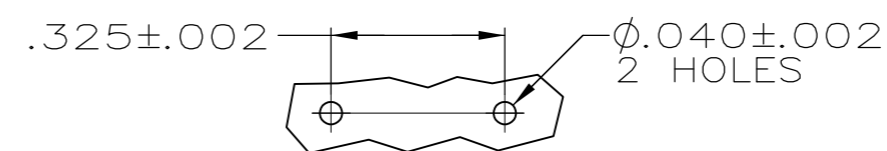
VIEW D

- ACCEPTS COAX CABLE WITH .095-.110 O.D. JACKETS AND .055-.065 DIELECTRIC O.D. EXAMPLE: RG-174 AND RG-316
- TIN PLATE PER ASTM-B-545.
- INSTRUCTION SHEET NO.: 408-2472-2.
- ON STRIP
- ON STRIP, LEGS MUST BE BENT MANUALLY AFTER CRIMPING.
- LOOSE PIECE PARTS WITH PREFORMED LEGS.
- BRASS PER ASTM-B-36.
- TIN-LEAD PLATE PER ASTM-B-545.

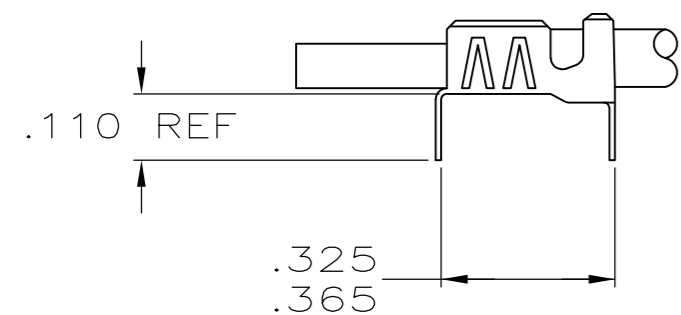


SECTION A-A

SECTION B-B

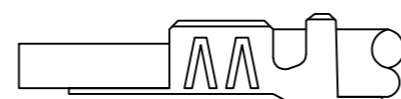


PCB LAYOUT



AS APPLIED BY APPLICATOR

VIEW E



AS APPLIED BY APPLICATOR

VIEW F

| FINISH | VIEW | TYPE | PART NUMBER |
|--------|------|------|-------------|
| 2 | D | 6 | 9-226176-2 |
| 2 | C&F | 5 | 9-226176-1 |
| 2 | C&E | 4 | 9-226176-0 |
| 8 | D | 6 | 226176-4 |
| 8 | C&F | 5 | 226176-3 |
| 8 | C&E | 4 | 226176-2 |

| | | | | |
|--|--|-------------------------------|-----------------------------|-----------|
| THIS DRAWING IS A CONTROLLED DOCUMENT. | | DWN M. OBRINE 30JUN99 | TE Connectivity | |
| DIMENSIONS: INCHES | | CHK M. OBRINE 30JUN99 | | |
| TOLERANCES UNLESS OTHERWISE SPECIFIED: | | APVD J. CABARLO 30JUN99 | NAME | |
| 0 PLC ± - | | PRODUCT SPEC | BRAID-PIC | |
| 1 PLC ± - | | APPLICATION SPEC | P.C. BOARD GROUND TERMINAL | |
| 2 PLC ± - | | | SINGLE CRIMP-SINGLE CONTACT | |
| 3 PLC ± .008 | | | SIZE | CAGE CODE |
| 4 PLC ± - | | | A2 | 00779 |
| ANGLES ± - | | WEIGHT | DRAWING NO | |
| FINISH | | .007 OZ | C=226176 | |
| SEE NOTE 7 | | CUSTOMER DRAWING | SCALE | SHEET |
| | | | 6:1 | 1 of 1 |
| | | | REV | N1 |